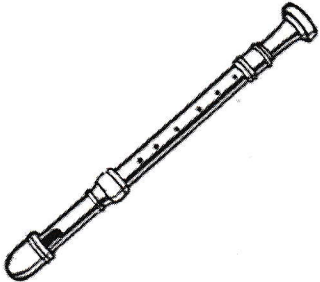
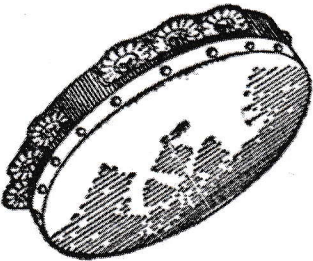
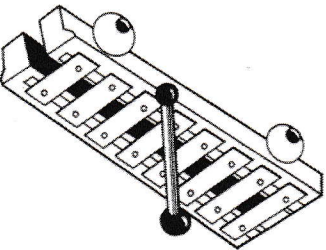
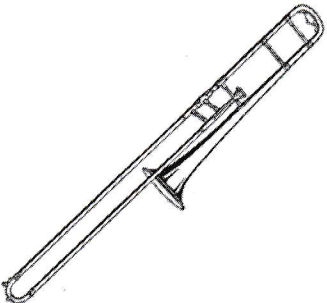
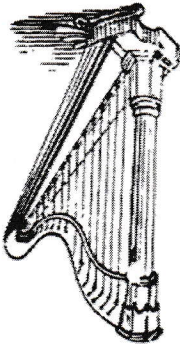
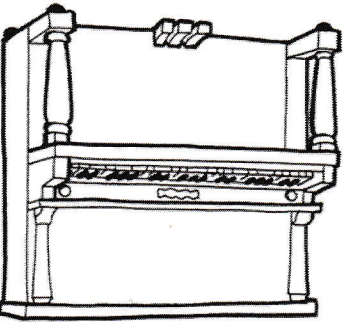


Musical Instruments (2)

Name: \_\_\_\_\_

Date: \_\_\_\_\_

- Name the musical instruments using the words below.

		
_____	_____	_____
		
_____	_____	_____

recorder	harp	tambourine
trombone	piano	xylophone

- Circle the instruments in the list below.

drum lemon organ horn trumpet square banjo