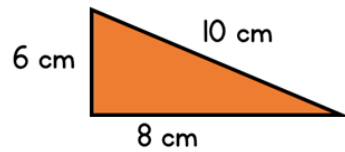


Flashback 4

1) What fraction of the shape is shaded?

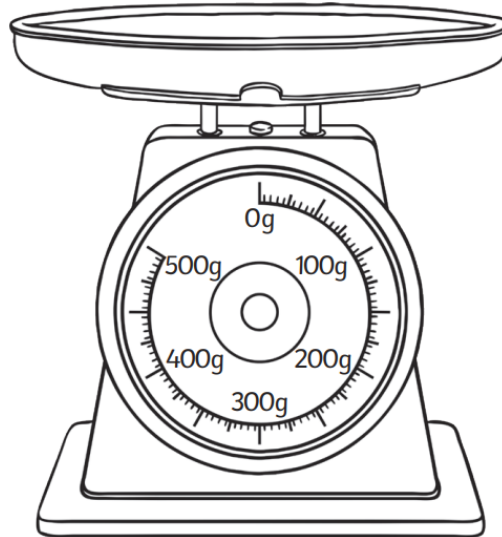
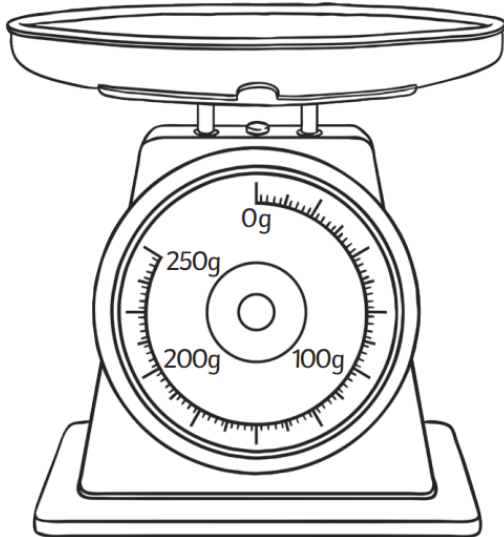


2) Work out the perimeter of the triangle.



3) Complete: _____ millimetres = 7 centimetres

4) What is 28 divided by 4?



On this measuring scale, every 100 grams is divided into _____ equal parts.
Each interval on the scale is counting in multiples of _____ grams.